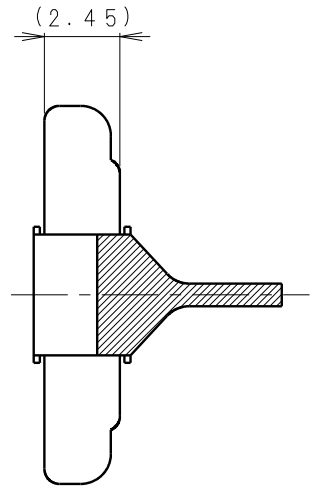
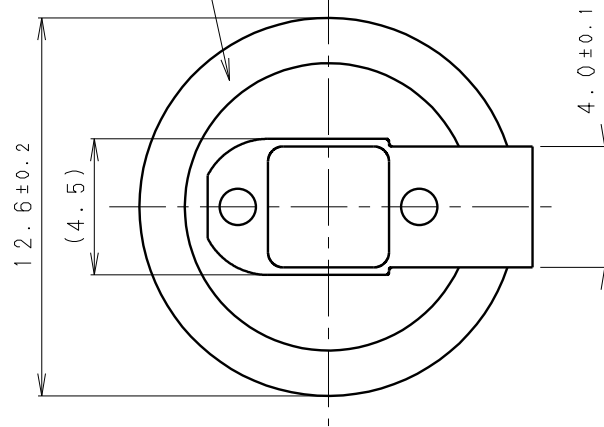
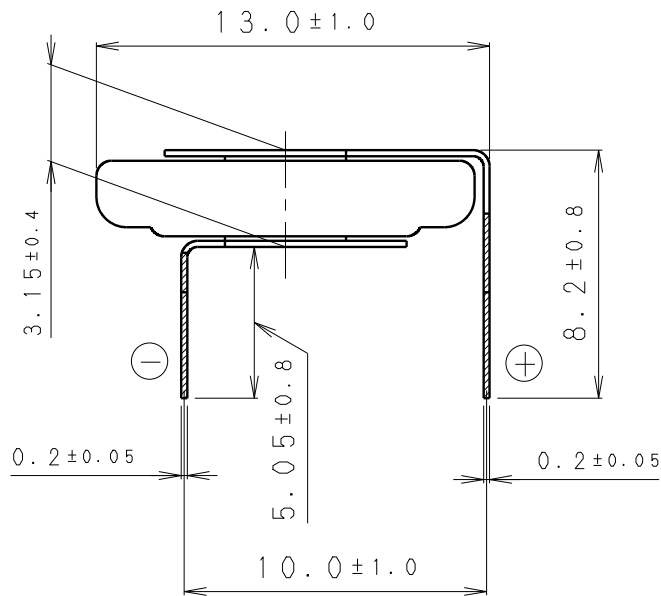
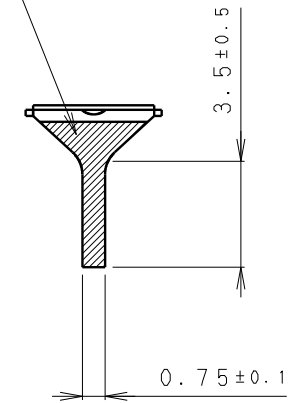


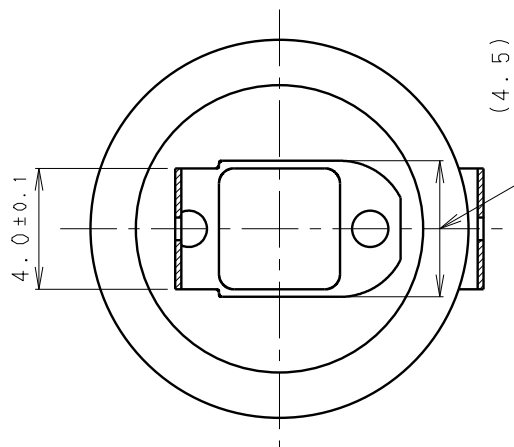
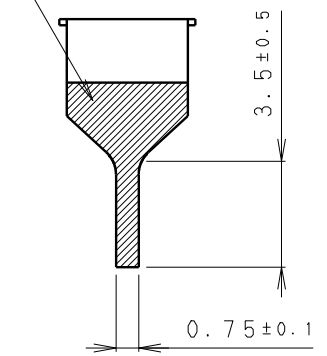
INSULATOR (YELLOW)  
 [絶縁チューブ (黄色)]



TIN PLATING  
 [Snメッキ]



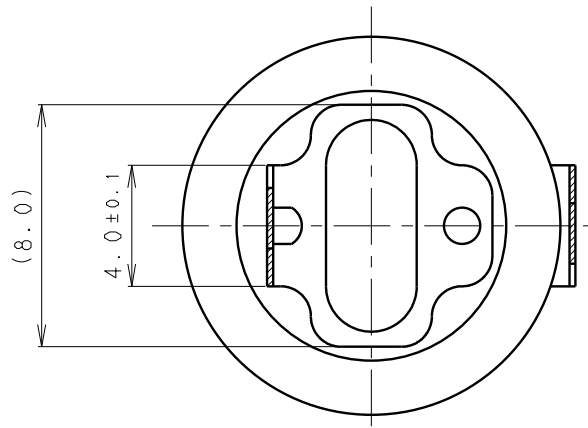
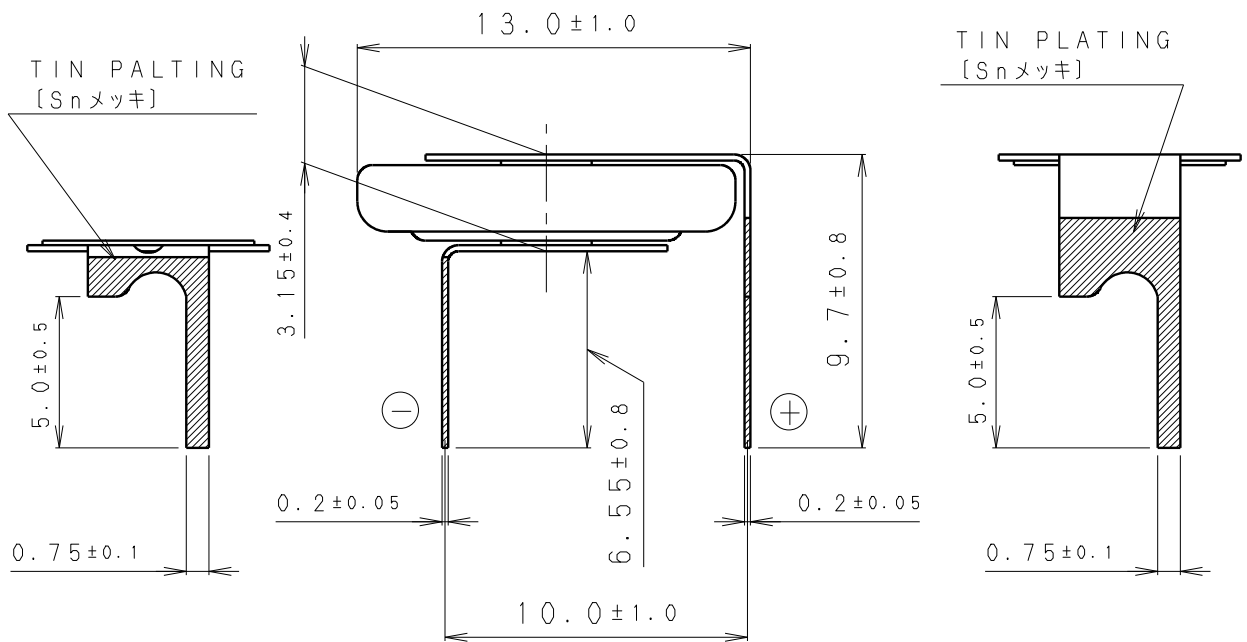
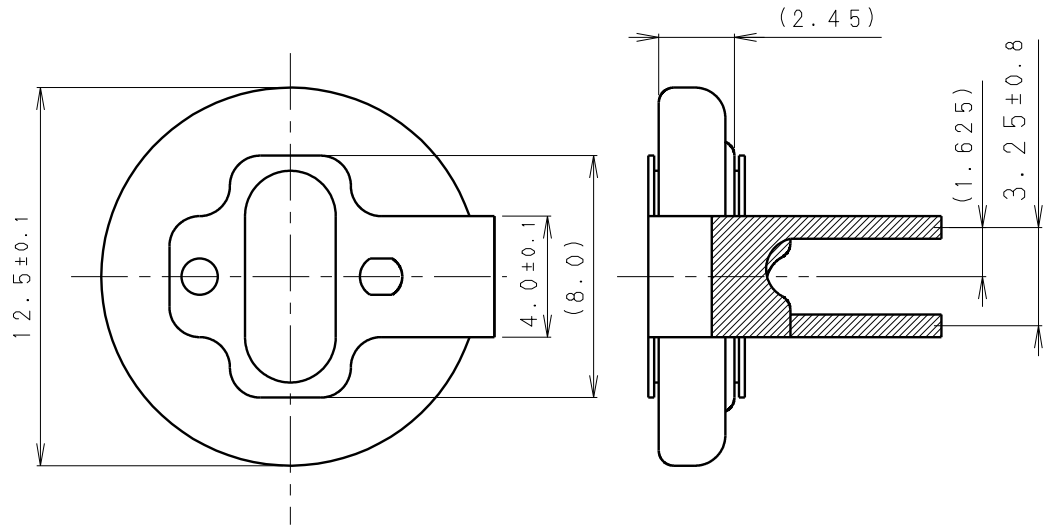
TIN PLATING  
 [Snメッキ]



\* NOTE [注記]

1. TAB PULLING STRENGTH OVER 19.6N  
 [端子溶接強度: 19.6N以上]
2. TAB MATERIAL: STAINLESS STEEL WITH TIN PLATING  
 [端子材料: 基材 ステンレス/表面 部分Snメッキ]
3. ( ): REFERENCE DIMENSION AND ANGLE  
 [( ) 寸法、角度は参考値]

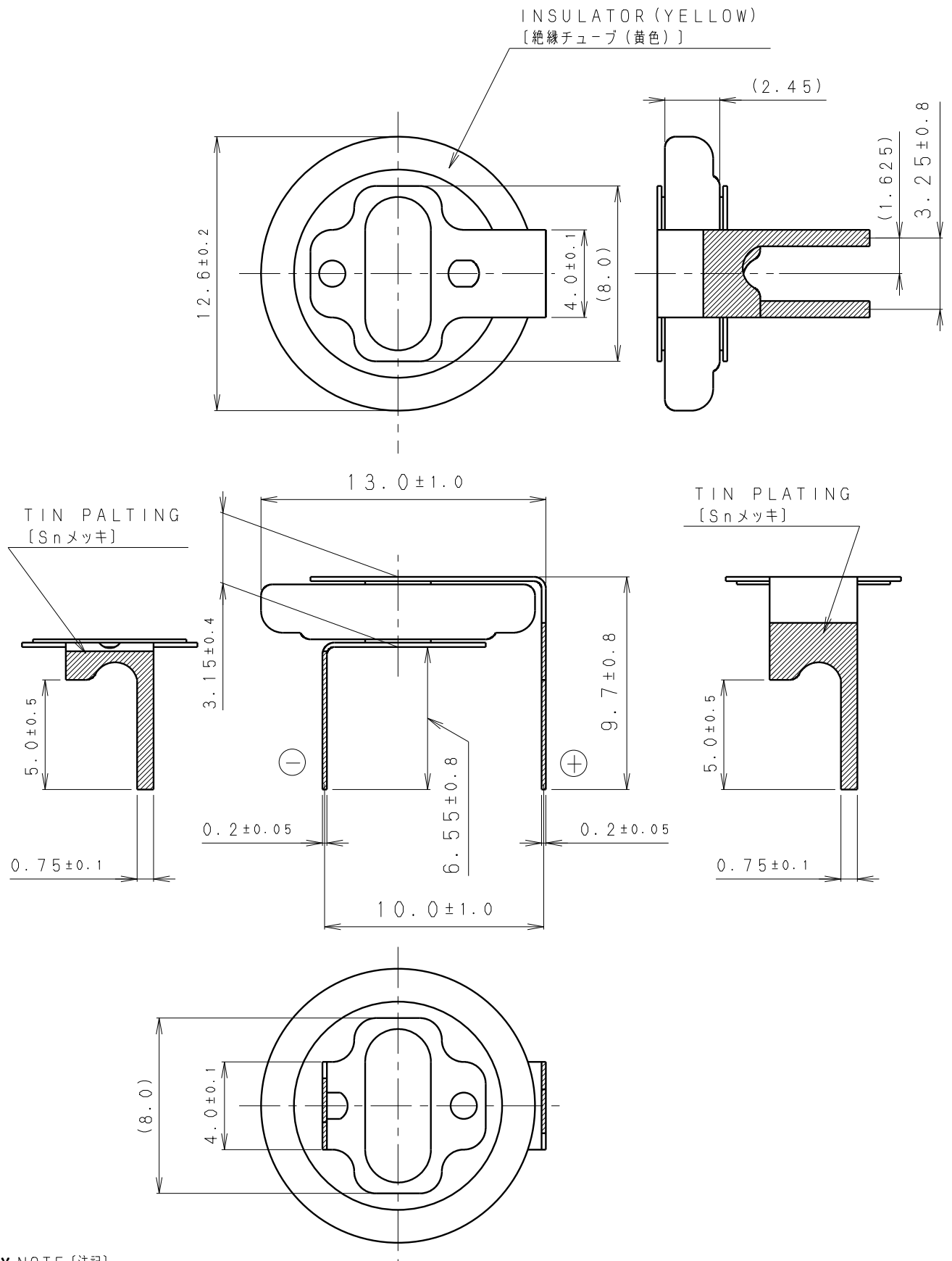
|             |              |       |  |
|-------------|--------------|-------|--|
| PRODUCT NO. | BR-1225/H1AN | SCALE |  |
|             |              | 4:1   |  |
| DRAWING NO. | JGHA1Z       | REV.  |  |
|             |              | 0     |  |



\* NOTE [注記]

1. TAB PULLING STRENGTH OVER 19.6N  
[端子溶接強度：19.6N以上]
2. TAB MATERIAL: STAINLESS STEEL WITH TIN PLATING  
[端子材料：基材 ステンレス/表面 部分Snメッキ]
3. ( ) : REFERENCE DIMENSION AND ANGLE  
[ ( ) 寸法、角度は参考値]

|             |             |       |  |
|-------------|-------------|-------|--|
| PRODUCT NO. | BR-1225/HBN | SCALE |  |
|             |             | 4:1   |  |
| DRAWING NO. | JGHB1N      | REV.  |  |
|             |             | 0     |  |



\* NOTE [注記]

1. TAB PULLING STRENGTH OVER 19.6N  
[端子溶接強度：19.6N以上]
2. TAB MATERIAL: STAINLESS STEEL WITH TIN PLATING  
[端子材料：基材 ステンレス/表面 部分Snメッキ]
3. ( ) : REFERENCE DIMENSION AND ANGLE  
[ ( ) 寸法、角度は参考値]

|             |             |       |  |
|-------------|-------------|-------|--|
| PRODUCT NO. | BR-1225/HCN | SCALE |  |
|             |             | 4:1   |  |
| DRAWING NO. | JGHB1Z      | REV.  |  |
|             |             | 0     |  |